



MARKO by MR-Engineering
Via Jmre Nagy, 27/A 42019 Scandiano (RE) - ITALY

Rotary Marker Model **ROTO**

PRINTING · DATING · PRICING · CODING



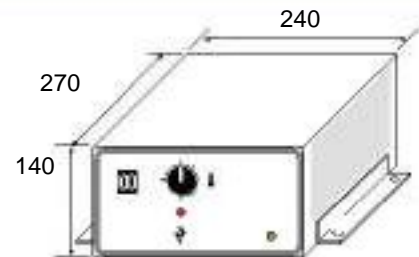
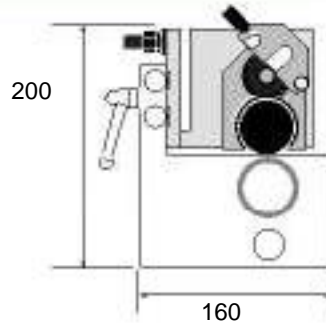
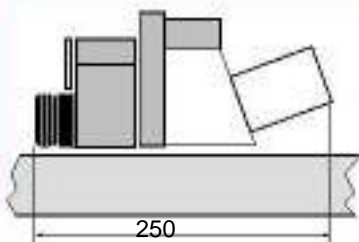
The mechanical design of the marker model ROTO is simple, and its features are aimed at optimizing operations and ensuring long-lasting reliability.

The thermoplastic inking rollers allow printing for a long time without interruption.

The ink does not run out suddenly but gradual, thus allowing the operator to schedule cartridge replacement in good time.

The marker model ROTO has been designed to minimize production downtime caused by the replacement of ink cartridges or print cartridges, thus eliminating long and costly downtime.

The ROTO marker is easy to install on continuous motion packaging machines and reaches up to 600 strokes per minute.



TECHNICAL SPECIFICATIONS

Print area	32 x 27mm	
Wrapping speed	up to 58 m/min	
Min. package length	with 2 stops:	95 mm
	with 1 stop:	170 mm
Frequency	with 2 stops:	up to 610 char/min
	with 1 stop:	up to 340 char/min
Inking	thermoplastic cartridge	
Print command	micro, proximity	
Cliché	brass or zamak	
Movement	step by step motor	
Power supply	220 V 50/ 60 Hz	
Max. power consumption	250 W	
Weight of print head	3.4 Kg	



MARKO by MR-Engineering
 Via Jmre Nagy, 27/A 42019 Scandiano (RE) - ITALY

Our terms of sale are as follows:

TRANSPORT	At cost
PACKAGING	At cost
PAYMENT	to be agreed
TYPE OF DELIVERY	ex-factory
DELIVERY	5-10 working days from receipt of order (excluding holidays)
NOTES	The photos of the equipment serve only illustrative purposes and are not binding.
GUARANTEE	<ol style="list-style-type: none"> 1. The company guarantees its standard products and products manufactured the client's request for twelve months after delivery. 2. The relevant manufacturer is responsible for the guarantee on components and parts not manufactured by MR Engineering S.r.l., such as motors, electrical parts, pumps and pneumatic parts, including pneumatic logic elements. 3. MR Engineering S.r.l.'s liability is strictly limited to repairing or, at its discretion, replacing any defective parts, while MR Engineering S.r.l. is not liable for any direct, indirect or consequential damage or loss of profit. 4. At the discretion of MR Engineering S.r.l., any defective parts must be sent to MR Engineering S.r.l. or to its authorised dealer free of charge, and the serial number of the machine must be reported. 5. All parts, components or accessories subject to ordinary wear and tear, such as air pump diaphragms, indicator light bulbs, electrical resistances, plastic gaskets or pipes, etc., are not covered by the guarantee. Any repair operations during which it is found out that the problem was caused by tampering with, mishandling or carrying out wrong maintenance on the machine are not covered by the guarantee. 6. The necessary maintenance work will be carried out against reimbursement of net travel expenses, including food and board, and labour expenses. 7. 7. This guarantee shall be void if the equipment is tampered with or it is modified or repaired by persons not authorised by MR Engineering S.r.l. It does not cover any accidental breakdowns, or damage caused by negligence. It is void if the equipment is used in a way that does not comply with the instructions or for purposes other than those for which it was designed. It is void if the coupon included in the instruction booklet is not filled in and returned. 8. 8. No express or implied guarantees are provided except for the guarantee set forth herein, which cannot be modified except by written agreement 9. 9. The guarantee is void if the client fails to make the agreed payments or interrupts payment while waiting for maintenance to be carried out. The company MR Engineering S.r.l. must be informed of any complaints and/or defects by fax, e-mail or registered letter no later than 10 (ten) days after such defects are detected. Any such detects shall not constitute grounds for interruption of payments.

We remain at your disposal for any clarifications on this matter.
 With best regards.

Marko by MR-Engineering S.r.l

Mr Roberto Giglioli +39 335 5844348